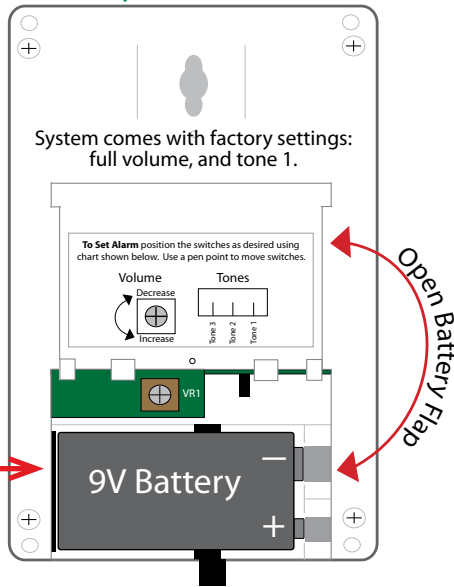


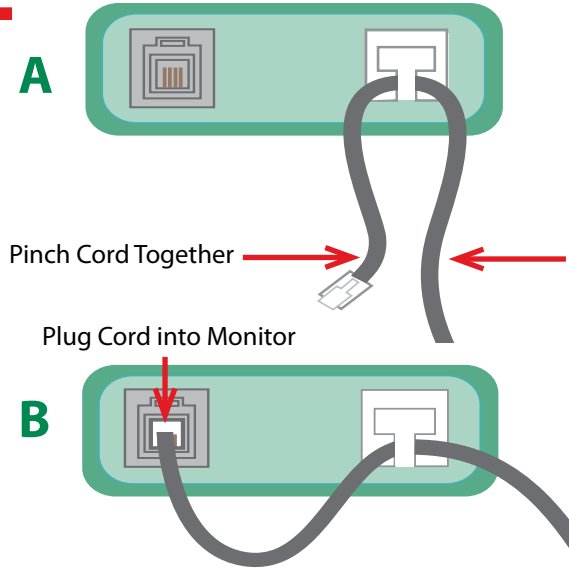
Quick Start Instructions

1 Insert 9V Battery



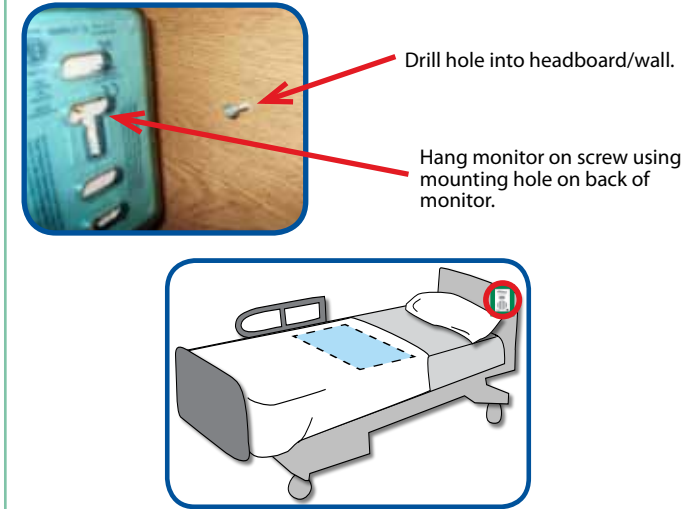
Note: Black ribbon goes underneath battery for easy removal.

2 Plug in Cord



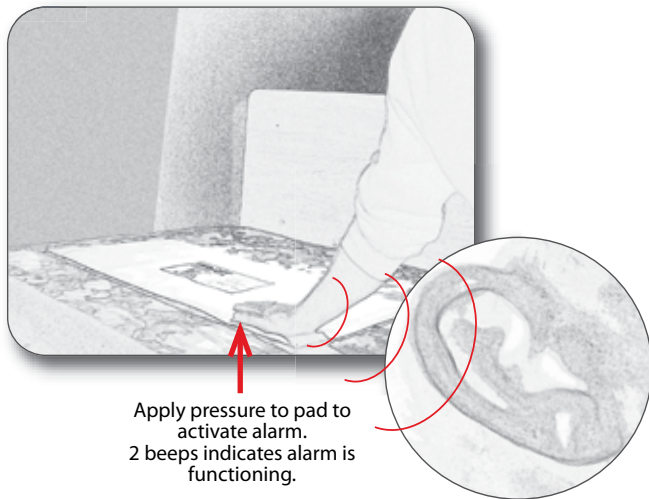
Note: Breakaway cords will not fit into strain relief.

3 Attach Monitor



Note: Other mounting options available. Call 800-650-3637

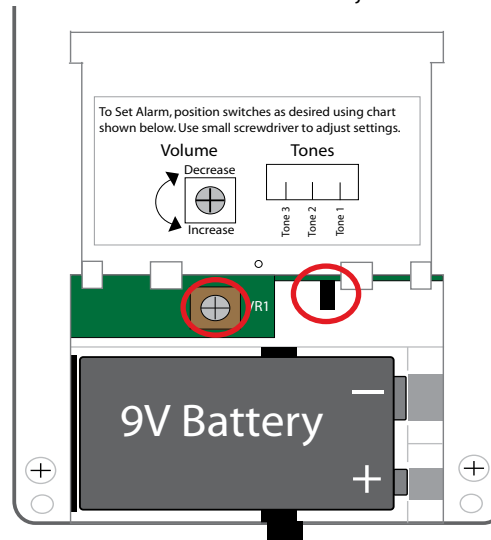
4 Test System



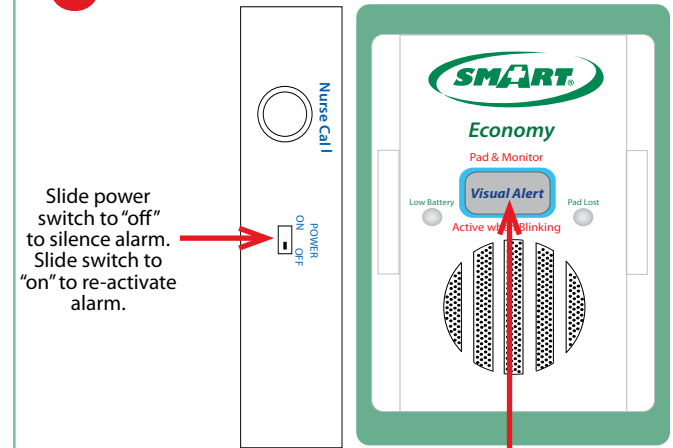
Alarm will sound when pressure is released from pad.
Slide switch on side of monitor to "off" to silence alarm.
Slide switch on side of monitor to "on" to re-activate alarm.

5 Adjust Settings (Optional)

System comes with factory settings: full volume, and tone 1.
Use a small flathead screwdriver to adjust volume.



6 How to Silence an Alarming Monitor



Slide power switch to "off" to silence alarm.
Slide switch to "on" to re-activate alarm.

"Pad & Monitor Active when Blinking" light illuminates only when pad is plugged into monitor and pressure is on pad.

Note: TamperProof™ Monitor with Reset Button Available.
Call 800-650-3637



TL-2100E FallGuard™ Economy Monitor

Installation Instructions

TL-2100E FallGuard™ Economy System

Alarm will make a chirping noise when battery is low.

Caution: If using this monitor with Charge Pad Indicator™ Timed Pressure Pads, monitor will not indicate when pad life has expired. Pads will still function normally. Call (800) 650-3637 for more information.

Warning: Failure to comply with warning may result in injury or death. This device is not suitable for all individuals. Other devices may be required. This device is not a substitute for visual monitoring by caregiver. The manufacturer does not claim that this device will stop elopement and/or stop falls. This device is to help augment caregiver's comprehensive resident mobility management program. **Test this device before each use. Read the instructions and Legal Disclaimer.**

Seller warrants that the goods sold will be free from defects of workmanship and manufacturing, for a period of one year from the date of sale. Other than this limited warranty, seller makes no express or implied warranties. Except for this limited warranty, NO EXPRESS OR IMPLIED WARRANTIES ARE GIVEN AND NO AFFIRMATION OF SELLER, BY WORDS OR ACTION, WILL CONSTITUTE A WARRANTY. THE GOODS BEING PURCHASED ARE BEING SOLD ON A "WITH ALL FAULTS" BASIS. THE ENTIRE RISK AS TO THE QUALITY AND PERFORMANCE OF THE GOODS IS WITH THE BUYER. SHOULD THE GOODS PROVE DEFECTIVE FOLLOWING THEIR PURCHASE, THE BUYER, AND NOT THE MANUFACTURER, DISTRIBUTOR OR RETAILER, ASSUMES THE ENTIRE COST OF ALL NECESSARY INSTALLATION, SERVICING OR REPAIRS.

The Smart Caregiver Corporation® FallGuard™ monitors are designed to be installed by the end-user. As such, it is the entire responsibility of the buyer to insure that the system is properly installed and tested. Further, the system is not designed to replace good care giving practices including, but not limited to:

- a.) Direct patient supervision
- b.) Adequate training for staff personnel for elopement
- c.) Testing of the system before each use.

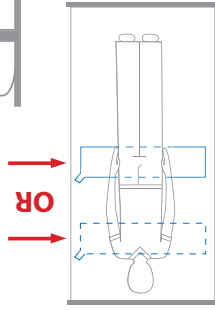
WHERE PERMISSIBLE, IT IS THE SELLER'S INTENT TO LIMIT ANY LIABILITY FOR SPECIAL, CONSEQUENTIAL OR INCIDENTAL ECONOMIC DAMAGES TO REFUND OF THE PURCHASE PRICE OR REPLACEMENT OF THE GOODS. SELLER DISCLAIMS ANY LIABILITY FOR COMPENSATORY OR OTHER DAMAGES ARISING OUT OF THE USE OF THE GOODS.

WARNING: The manufacturer does not claim that this device will stop elopement and/or stop falls. This device is to help augment caregiver's comprehensive resident mobility management program. This product is to be used by a licensed caregiver only.

Smart Caregiver Corporation
sales@smartcaregivercorp.com
Toll Free: 800-650-3637



Bed Pressure Pads



- Place pad under sheet
- Place pad under shoulders to be alerted when resident sits up in bed.
- Place pad under lower back/buttocks to be alerted when resident vacates the bed.

TEST SYSTEM

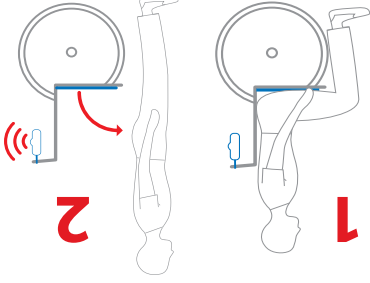
- Plug pad into monitor and apply pressure to pad to activate alarm. Monitor will beep twice when active.
- Alarm will sound when pressure is released from pad. Slide switch on side of monitor to "off" to silence alarm. Slide switch on the front of monitor will blink when pad is plugged into monitor and pressure is on pad.

Wheelchair Pressure Pads

- Center pad under buttocks.
- Place monitor out of reach of resident. Suitable mounting locations include: back of headboard, back of wheelchair, wall or under bed. Make sure the resident cannot tamper with monitor (it is the caregiver's responsibility to route the cord under the sheet so the resident cannot tamper with it).

TEST SYSTEM

- Plug pad into monitor and apply pressure to pad to activate alarm. Monitor will beep twice when active.
- Alarm will sound when pressure is released from pad. Slide switch on side of monitor to "off" to silence alarm. The status light on the front of monitor will blink when pad is plugged into monitor and pressure is on pad.



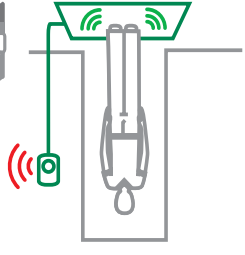
Seat Belt

- Unscrew one screw on either side of wheelchair that holds seat in place.
- Attach seat belt to wheelchair by lining up the grommet holes on seat belt with the screw holes. The insert screws through both seat belt and wheelchair to hold seat belt in place. Make sure the screws are tightened.
- Adjust Seat Belt to desired length using the black buckle that holds the adjustment strap in place.
- Place monitor out of reach of the resident. Suitable mounting location is the back of wheelchair so that the resident cannot tamper with monitor.

TEST SYSTEM

- Buckle and Unbuckle the Seat Belt to set off the alarm. The monitor is now active. Alarm will sound whenever Seat Belt is unbuckled.
- When the alarm is activated, slide switch on side of monitor to "off" to silence alarm. Slide switch on side of monitor to "on" to re-activate alarm. The status light on front of monitor will blink when the seat belt is plugged into the monitor and buckled.

Floor Mat



- Place Floor Mat in desired location such as a critical doorway or next to a bed.
- Place monitor out of reach of resident. Suitable mounting locations include back of headboard, wall, or under the bed so the resident cannot tamper with monitor.

TEST SYSTEM

- Step on Floor Mat to set off the alarm. The monitor is now active. Alarm will sound anytime weight is on the Floor Mat.
- When the alarm is activated, Slide switch on side of monitor to "off" to silence alarm. Slide switch on side of monitor to "on" to re-activate alarm. Status light does not function when using the floor mat.

Need Set-up Help? (800) 650-3637

