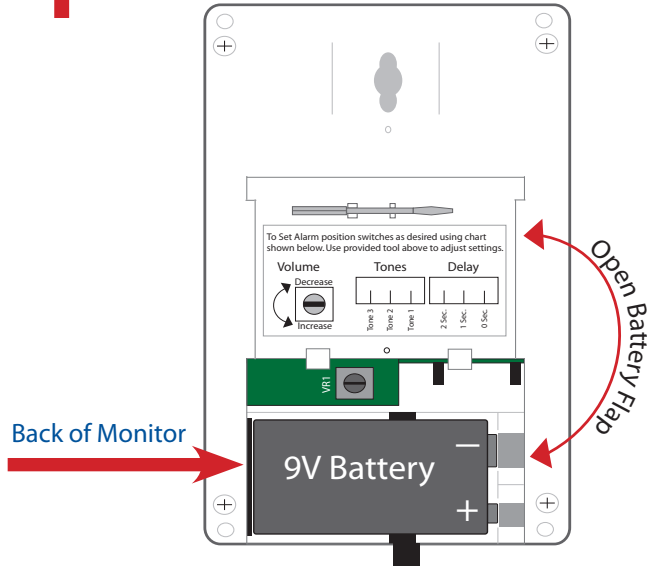


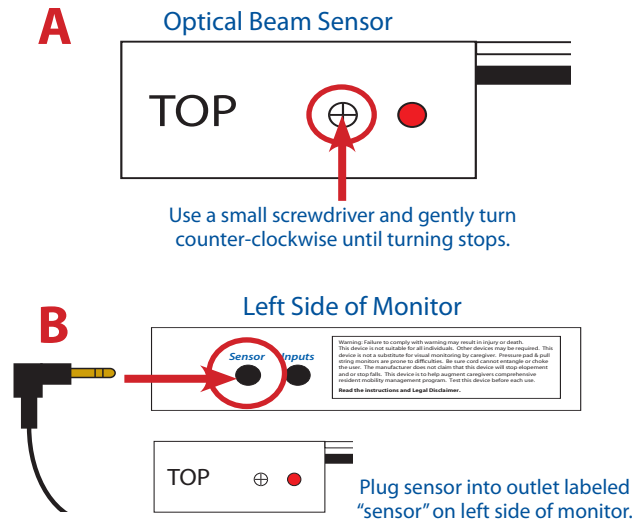
# Quick Start Instructions

## 1 Insert 9V Battery

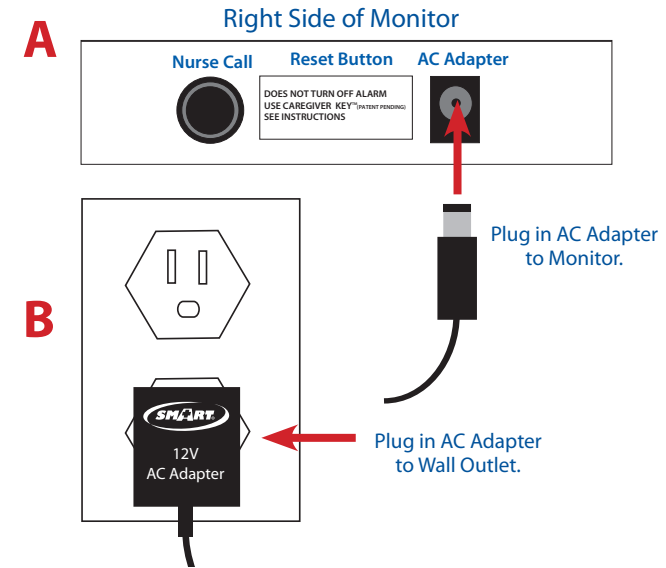


Note: Black ribbon goes underneath battery for easy removal.

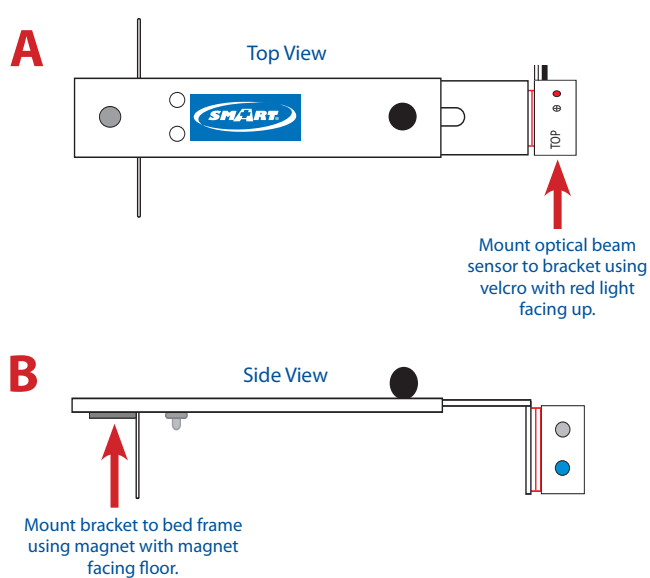
## 2 Turn off Optical Beam Sensor Range and Plug Sensor into Monitor



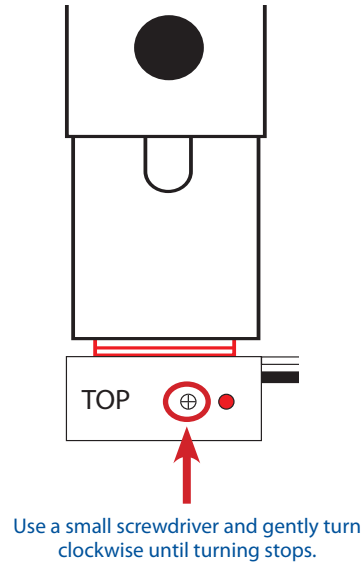
## 3 Plug in AC Adapter into Monitor and Wall



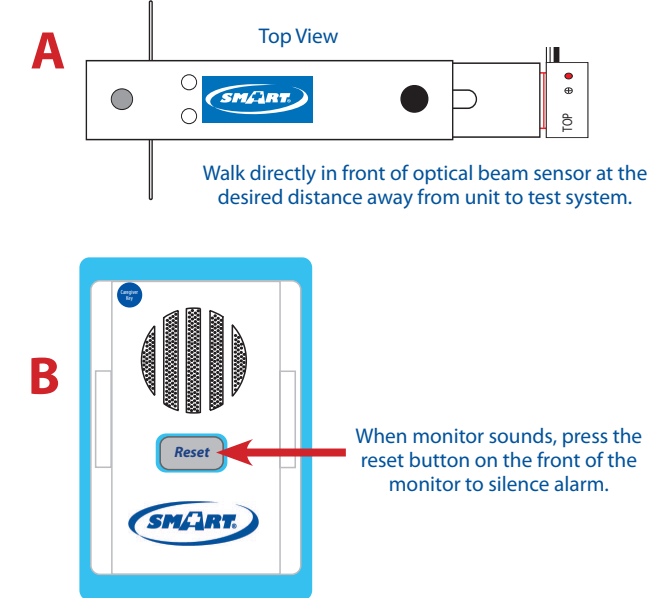
## 4 Mount Optical Beam Sensor to Bed



## 5 Turn Optical Beam Sensor Range On



## 6 Test System





# TL-2105SYS Optical Beam Sensor System

## Installation Instructions

Caution: If using this monitor with Change Pad Indicator™ Timed Pressure Pads, monitor will not indicate when pad life has expired. Pads will still function normally. Call (800) 650-3637 for more information.

Warning: Failure to comply with warning may result in injury or death. This device is not suitable for all individuals. Other devices may be required. This device is not a substitute for visual monitoring by caregiver. The manufacturer does not claim that this device will stop elopement and or stop falls. This device is to help augment caregivers comprehensive resident mobility management program. **Test this device before each use. Read the instructions and Legal Disclaimer.**

Seller warrants that the goods sold will be free from defects of workmanship and manufacturing, for a period of one year from the date of sale. Other than this limited warranty, seller makes no express or implied warranties. Except for this limited warranty, NO EXPRESS OR IMPLIED WARRANTIES ARE GIVEN AND NO AFFIRMATION OF SELLER, BY WORDS OR ACTION, WILL CONSTITUTE A WARRANTY. THE GOODS BEING PURCHASED ARE BEING SOLD ON A "WITH ALL FAULTS" BASIS. THE ENTIRE RISK AS TO THE QUALITY AND PERFORMANCE OF THE GOODS IS WITH THE BUYER. SHOULD THE GOODS PROVE DEFECTIVE FOLLOWING THEIR PURCHASE, THE BUYER, AND NOT THE MANUFACTURER, DISTRIBUTOR OR RETAILER, ASSUMES THE ENTIRE COST OF ALL NECESSARY INSTALLATION, SERVICING OR REPAIRS. The Smart Caregiver Corporation FallGuard™ monitors are designed to be installed by the end-user. As such, it is the entire responsibility of the buyer to insure that the system is properly installed and tested. Further, the system is not designed to replace good care giving practices including, but not limited to:

- a.) Direct patient supervision
- b.) Adequate training for staff personnel for elopement
- c.) Testing of the system before each use.

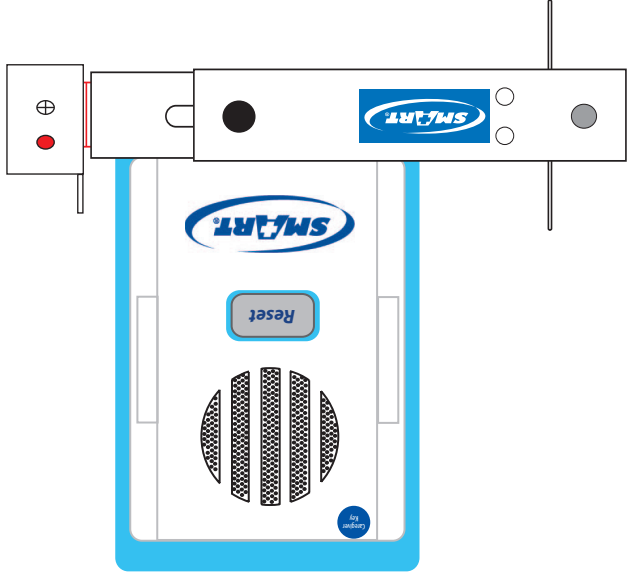
WHERE PERMISSIBLE, IT IS THE SELLER'S INTENT TO LIMIT ANY LIABILITY FOR SPECIAL, CONSEQUENTIAL OR INCIDENTAL ECONOMIC DAMAGES TO REFUND OF THE PURCHASE PRICE OR REPLACEMENT OF THE GOODS. SELLER DISCLAIMS ANY LIABILITY FOR COMPENSATORY OR OTHER DAMAGES ARISING OUT OF THE USE OF THE GOODS.

**WARNING: The manufacturer does not claim that this device will stop elopement and or stop falls. This device is to help augment caregivers comprehensive resident mobility management program. This product is to be used by a licensed caregiver only.**

Smart Caregiver Corporation  
sales@smartcaregivercorp.com  
Toll Free: 800-650-3637



# TL-2105SYS Optical Beam Sensor System



## TL-2105SYS Optical Beam Sensor System:

This fall monitor reduces falls by projecting a focused infrared beam along the headboard or side of the resident's bed, depending on where the caregiver decides to place the sensor. This Sensor Beam Fall Alarm is to be used with the TL-2105 Series Monitors. When the infrared beam is interrupted by the resident, the fall alarm monitor alerts the caregiver. The Sensor Beam Fall Alarm Monitor may be focused by turning the adjustment screw on the top of Sensor Beam Fall Alarm, by using a small Phillips screwdriver. The Sensor Beam is not recommended for use with reflective surfaces. Using reflective surfaces may cause false alarms. This fall monitor has a One Year Warranty.

### TL-2105SYS Contents:

- Optical Beam Sensor (TL-2105)
- Deluxe Fall Monitor (TL-2105S)
- AC Adapter (AC-03)
- Extendable Mounting Bracket (MB-05)

### Optional Accessories:

- Deluxe Economy Monitor (TL-2105E)
- Deluxe Safety Auto-Reset™ Monitor (TL-2105S)
- Deluxe Safety Auto-Reset™ w/Voice Monitor (TL-2105V)
- Caregiver Key (CK-01)
- Mounting Bracket Clamp (MB-06)

**Need Set-up Help? (800) 650-3637**

